

HEIGHTS

Processor  
**85P**



# HEIGHTS 85P

The **HEIGHTS 85P Processor** has been designed exclusively for photopolymer CTP plates, both violet and green.

The 85P is designed for on-line connection to manual, semi-automatic and automatic CTP platesetters.

This machine represents the latest in plate processing technology, with smart user interface and fully programmable operation. A durable construction makes it especially suited to high volume environments.

Used for B2, B2+ and B1 portrait throughput.

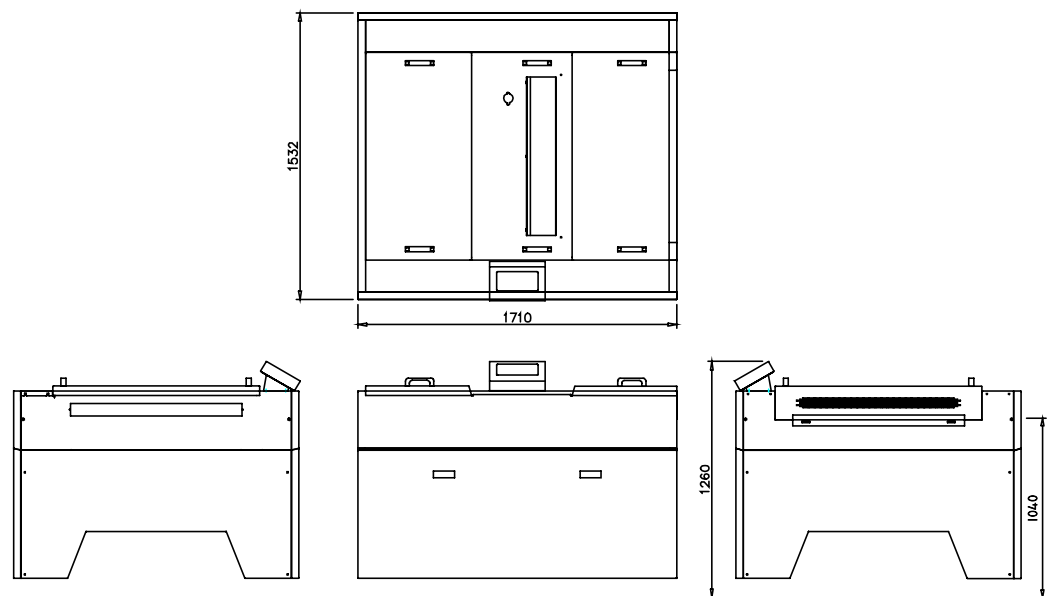
## Features

Fully Automatic Processing	Optional Bulk Fill Pump
Platesetter Interface Options	Six-Stage Processing
Easy Cleaning Access	Intelligent Anti-Ox System
Robust Engineering	Intuitive LCD Operating System

# Technical Data



<b>Maximum Plate Width</b>	<b>Plate Input Height</b>
850mm (33.5")	940 - 1055mm (37 - 41.5")
<b>Minimum Plate Length</b>	<b>Dimension (LxWxH)</b>
340mm (13.4")	1710 x 1532 x 1020mm (67.3 x 60.3 x 40.1")
<b>Plate Thickness</b>	<b>Machine Weight</b>
0.15 - 0.30mm (0.006 - 0.012")	750kg (1653lbs)
<b>Plate Transport Speed</b>	<b>Recommended Room Temp.</b>
1250mm/min (49.2") @ 19 sec Dip to Niip	18 to 29°C (64.4 to 84.4°F)
<b>Pre-wash Tank Capacity</b>	<b>Noise</b>
27 Litres (7.1 US Gallons)	Less than 70 dB(A)
<b>Developer Tank Capacity</b>	<b>Electrical Supply</b>
39.5 Litres (10.4 US Gallons)	220-240VAC 2W + PE 28A /Phase - 60Hz 380-480VAC 3P + Neutral + PE 16A/Phase - 50/60Hz
<b>Rinse Tank Capacity</b>	Please specify power requirements with your order
24 Litres (6.3 US Gallons)	
<b>Finisher Tank</b>	
3.5 Litres (0.9 US Gallons)	



HEIGHTS

Heights UK Ltd  
Wainstalls, Halifax. West Yorkshire. HX2 7TJ United Kingdom  
tel. +44 (0) 1422 240914 fax. +44 (0) 1422 240589  
email. info@heights-uk.com  
www.heights.com



All trademarks are the copyright of their respective owners and their use in this publication is acknowledged and recognized. Specification liable to change without notice.